

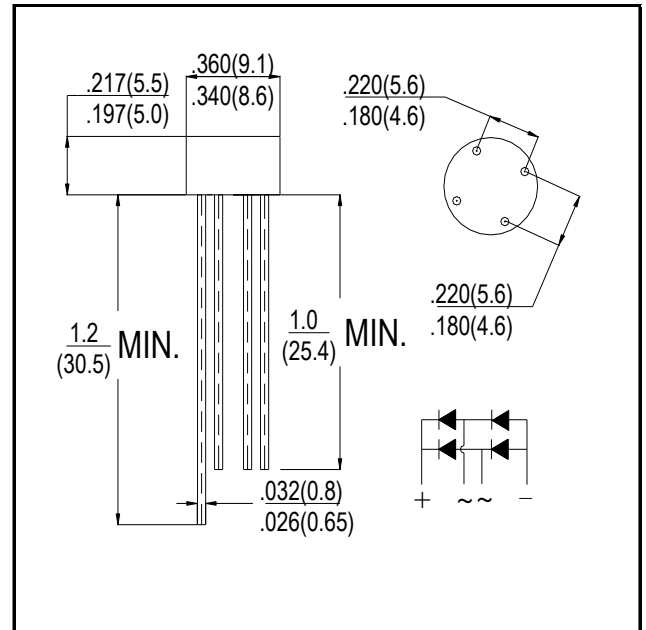
1.0A Single-Phase GLass Passivated Bridge Rectifiers

Recifier Reverse Voltage 50V to 1000V

WOB

Features

- Glass passivated junction
- Suge overload ratings to 35 amperes peak
- Reliable low cost construction utilizing molded plastic technique results in expensive product
- Mounting Position:Any



Maximum Ratings & Thermal Characteristics

Dimensions in inches and (millimeters)

Rating at 25°C ambient temperature unless otherwise specified, Resistive or inductive load, 60HZ.

For Capacitive load derate current by 20%

Parameter	Symbol	W005G	W01G	W02G	W04G	W06G	W08G	W10G	unit
		W005	W01	W02	W04	W06	W08	W10	
Maximum repetitive peak reverse voltage	VRRM	50	100	200	400	600	800	1000	V
Maximum RMS bridge input voltage	VRMS	35	70	140	280	420	560	700	V
Maximum DC blocking voltage	VDC	50	100	200	400	600	800	1000	V
Maximum average forward rectified output current at TA=25°C	IF(AV)	1.0							A
Peak forward surge current ,8.3ms Single Half sine-wave superimposed on rated load	IFSM	35							A
I ² t Rating for Fusing (t<8.3ms)	I ² t	5.0							A ² s
Maximum Forward Voltage Drop Per Element at 1.0A Peak	VF	1.1							V
Maximum Reverse Current at Rated DC Blocking Voltage	I _R	10.0							μA
		1.0							mA
Operating junction and storage temperature range	T _J , TSTG	-55to+150							°C

Rating and Characteristic Curves (TA=25°C Unless otherwise noted)

FIG.1-DERATING CURVE FOR

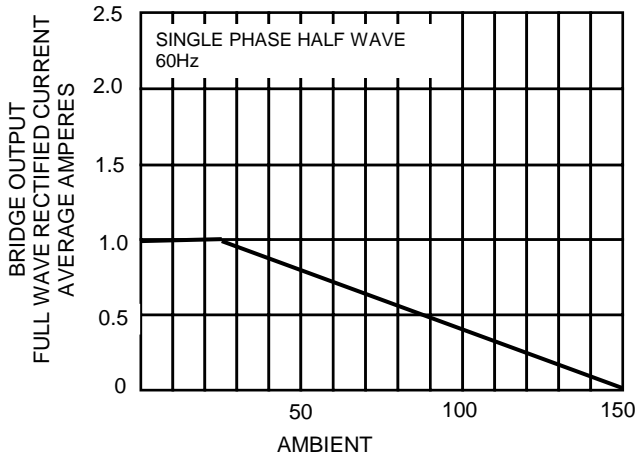


FIG.2-MAXIMUM NON-REPETITIVE SURGE CURRENT

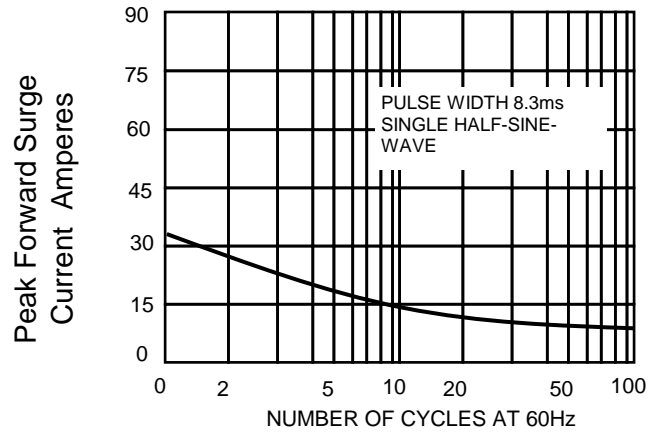


FIG.3-TYPICAL REVERSE CHARACTERISTICS

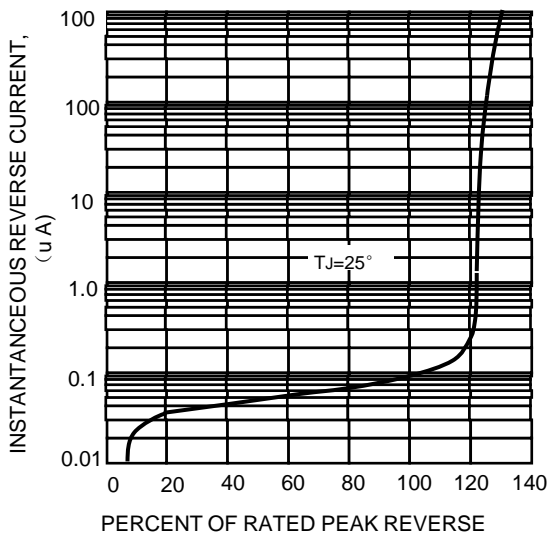


FIG.4-TYPICAL FORWARD CHARACTERISTICS

